

Experian AutoCheck Report

Report run: 05/07/2024 09:54:34 EDT

2015 Toyota Camry Hybrid LE / Hybrid SE / Hybrid XLE

Sedan 4D (2.5L I4 SMPI Gas/Electric Hybrid)

VIN:	4T1BD1FK7FU174477
Class:	Car - Midsize
Country of Assembly:	United States
Vehicle Age:	9 year(s)
Last Reported Odometer:	205,525 (01/25/2024)

Owners - 5



Vehicle Usage
Personal



AutoCheck Score

Similar vehicles usually range between 65 and 82

Vehicle History at a Glance

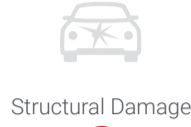
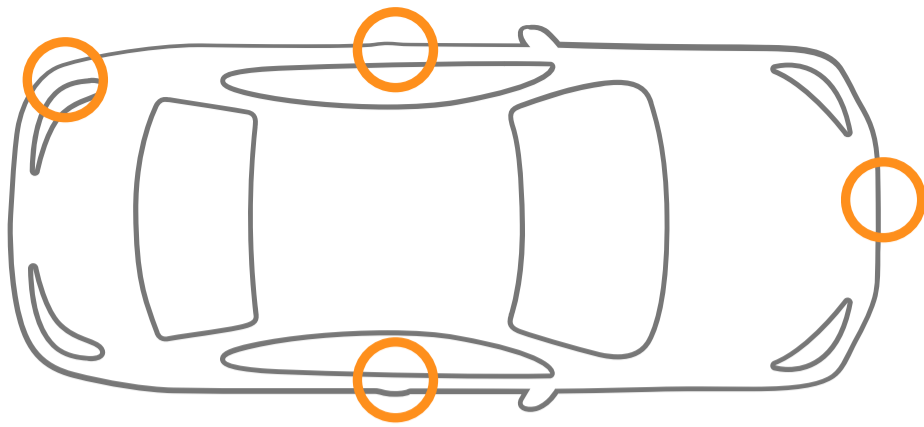
<p>State Title Brand</p> <p>CLEAN</p>	<p>Auction Brand / Issues</p> <p>NO ISSUE</p>	<p>Accident / Damage Multiple Damage Events</p> <p>SEVERE</p>
<p>Open Recall Check</p> <p>NO OPEN RECALLS</p>	<p>Insurance Loss / Transfer</p> <p>NO ISSUE</p>	<p>Odometer Check Last reported odometer: 205,525 (01/25/2024)</p> <p>NO ISSUE</p>
<p>Certified Pre-Owned</p> <p>NO CPO INFO AVAILABLE</p>	<p>Service / Repair 1 Service Record(s) Reported</p> <p>NO ISSUE</p>	<p>Additional History Lien Reported</p> <p>EVENTS REPORTED</p>



This vehicle is eligible for Buyback Protection

Due to the vehicle's history showing no reported major state title brands. [Terms & Conditions](#)

[Learn More](#)



Damage Date	Damage Type	Severity
09/17/2016	Collision	Minor
04/21/2018	Collision	Minor
03/26/2019	Collision	Severe

Not all accidents and/or damage events are reported to Experian. Inspection by a third party prior to purchase is recommended. See **Detailed Vehicle History** for more information regarding accident/damage events.

Odometer Check



Your Vehicle Checks Out

No odometer brands, rollbacks, rollover or tampering has been reported to AutoCheck from state Division of Motor Vehicles (DMV) or auction sources. AutoCheck also examined the sequence of reported odometer readings to determine if there are any potential discrepancies.



State Title Odometer Check

No issues reported



Auction Odometer Check

No issues reported



Odometer Calculation Check

No issues reported

Detailed Vehicle History

Below are the historical events for this vehicle listed in chronological order.

Vehicle: 2015 Toyota Camry Hybrid LE / Hybrid SE / Hybrid XLE (4T1BD1FK7FU174477) Report Run Date: 05/07/2024 09:54:34 EDT

2015

Vehicle Prep and Other Pre-Titling Events

Preparation Date: 06/2015

Event Date	Location	Odometer	Data Source	Details
06/15/2015			Independent Source	Vehicle Manufactured and Shipped to Dealer
06/15/2015	GA		Independent Source	Vehicle Manufactured and Shipped to Dealer

2015

Owner 1

Location: GA

Owned From: 08/2015

Usage: Personal

Event Date	Location	Odometer	Data Source	Details
08/28/2015	DOUGLASVILLE, GA	6	Motor Vehicle Dept.	Title(Lien Reported) Registration Event/Renewal
05/26/2016	DOUGLASVILLE, GA		Motor Vehicle Dept.	Registration Event/Renewal
06/12/2016	DOUGLASVILLE, GA		Motor Vehicle Dept.	Title(Lien Reported)

2016

Owner 2

Location: GA

Owned From: 06/2016

Usage: Personal

Event Date	Location	Odometer	Data Source	Details
06/16/2016	LAWRENCEVILLE, GA	39,863	Motor Vehicle Dept.	Title(Lien Reported)
06/20/2016	LAWRENCEVILLE, GA		Motor Vehicle Dept.	Registration Event/Renewal
08/19/2016	LAWRENCEVILLE, GA		Motor Vehicle Dept.	Registration Event/Renewal
09/17/2016	DULUTH, GA		State Agency	Left Rear Impact Reported Slight Damage Reported
08/05/2017	LAWRENCEVILLE, GA		Motor Vehicle Dept.	Registration Event/Renewal
04/21/2018	GA		State Agency	Accident Reported(Case #:180036569) Slight Damage Reported
04/24/2018	DULUTH, GA		Damage Report	Accident or Damage Reported Vehicle Damage Reported Left Side Damage or Repair Reported Right Side Damage or Repair Reported Front Damage or Repair Reported Damage or Repair to Bumper Reported Damage or Repair to Hood Reported Damage or Repair to Wheels Reported Damage or Repair to Grille Reported Damage or Repair to Fender Reported
08/07/2018	LAWRENCEVILLE, GA		Motor Vehicle Dept.	Registration Event/Renewal
08/07/2018	GA		Motor Vehicle Dept.	Passed Emission Inspection
03/26/2019	DULUTH, GA	86,652	Damage Report	Accident or Damage Reported Severe Damage Reported Left Side Damage or Repair Reported Right Side Damage or Repair Reported Front Damage or Repair Reported Damage or Repair to Bumper Reported Damage or Repair to Hood Reported Damage or Repair to Wheels Reported Damage or Repair to Grille Reported Damage or Repair to Quarter Panel Reported Damage or Repair to Fender Reported Damage or Repair to Windshield Reported
08/02/2019	LAWRENCEVILLE, GA		Motor Vehicle Dept.	Registration Event/Renewal
08/02/2019	GA		Motor Vehicle Dept.	Passed Emission Inspection
03/03/2020	LAWRENCEVILLE, GA		Motor Vehicle Dept.	Title(Lien Reported)
03/13/2020	SOUTHEASTERN REGION	106,546	Auto Auction	Reported at Auto Auction
05/04/2020	SOUTHEASTERN REGION	106,546	Auto Auction	Reported at Auto Auction
06/01/2020	GA		Auto Auction	Reported at Auto Auction as Dealer Vehicle(COLOR REPORTED AS SILVER)
06/03/2020	BIRMINGHAM, AL		Service Record	Multiple Point Vehicle Inspection

2020

Owner 3

Location: AL

Owned From: 07/2020

Usage: Personal

Event Date	Location	Odometer	Data Source	Details
07/20/2020	WARRIOR, AL	106,593	Motor Vehicle Dept.	Title(Lien Reported)
12/16/2020	SOUTHEASTERN REGION		Auto Auction	Reported at Auto Auction
12/16/2020	SOUTHEASTERN REGION	111,822	Auto Auction	Reported at Auto Auction
03/05/2021	TUSCALOOSA, AL	111,822	Dealer Record	Vehicle in Dealer Inventory

2021

Owner 4

Location: AL

Owned From: 04/2021

Usage: Personal

Event Date	Location	Odometer	Data Source	Details
04/12/2021	BESSEMER, AL	111,822	Motor Vehicle Dept.	Title(Lien Reported)

2021

Owner 5

Location: AL

Owned From: 10/2021

Usage: Personal

Event Date	Location	Odometer	Data Source	Details
10/20/2021	THOMASVILLE, AL		Motor Vehicle Dept.	Registration Event/Renewal
11/03/2022	THOMASVILLE, AL		Motor Vehicle Dept.	Registration Event/Renewal
01/25/2024	SOUTHEASTERN REGION	205,525	Auto Auction	Reported at Auto Auction

AutoCheck Terms and Conditions

This report, and any reliance upon it, is subject to **AutoCheck Terms and Conditions**. If you obtained the report from a lender/dealer, the lender/dealer has been provided with these Terms and Conditions and can share them with you. These AutoCheck Terms and Conditions are also available at any time at www.autocheck.com/terms or by writing to Experian: Experian Automotive C/O AutoCheck Customer Service 1515 E. Woodfield Road, Suite 500, Schaumburg, IL 60173.

Buyback Protection Terms and Conditions

This vehicle (4T1BD1FK7FU174477) qualifies for **AutoCheck Buyback Protection**. If you obtained the report from a dealer, the dealer has been provided with the terms and can share them with you. These Buyback Protection Terms and Conditions are also available to you at any time at www.autocheck.com/bbptterms or by writing to Experian: Experian Automotive C/O AutoCheckCustomer Service 1515 E. Woodfield Road, Suite 500, Schaumburg, IL 60173.

About AutoCheck

AutoCheck vehicle history reports by Experian Automotive is the leading vehicle history reporting service. With expert data handling, the Experian Automotive database houses over 4 billion records on a half a billion vehicles. Every AutoCheck vehicle history report will give you confidence when buying or selling your next used vehicle, with superior customer service every step of the way.

Patent Notice

Certain aspects of this vehicle history report may be covered by U.S. Patent 8,005,759.