

# Experian AutoCheck Report

Report run: 04/14/2024 01:22:51 EDT

## 2018 Toyota Camry L / LE / SE / XLE

Sedan 4D (2.5L I4 DI)

VIN:	4T1B11HK4JU061620
Class:	Car - Midsize
Country of Assembly:	United States
Vehicle Age:	6 year(s)
Last Reported Odometer:	246,447 (03/25/2024)

Owners - 2



Vehicle Usage  
Fleet, Lease



## AutoCheck Score

Similar vehicles usually range between 79 and 89

### Vehicle History at a Glance

<p>State Title Brand</p> <p><b>CLEAN</b></p>	<p>Auction Brand / Issues</p> <p><b>NO ISSUE</b></p>	<p>Accident / Damage Multiple Damage Events</p> <p><b>MODERATE</b></p>
<p>Open Recall Check</p> <p><b>1 OPEN RECALL(S)</b></p>	<p>Insurance Loss / Transfer</p> <p><b>NO ISSUE</b></p>	<p>Odometer Check Last reported odometer: 246,447 (03/25/2024)</p> <p><b>NO ISSUE</b></p>
<p>Certified Pre-Owned</p> <p><b>NO CPO INFO AVAILABLE</b></p>	<p>Service / Repair 4 Service Record(s) Reported</p> <p><b>NO ISSUE</b></p>	<p>Additional History Lien Reported, Inspection Performed</p> <p><b>EVENTS REPORTED</b></p>

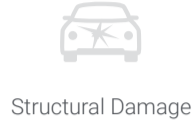
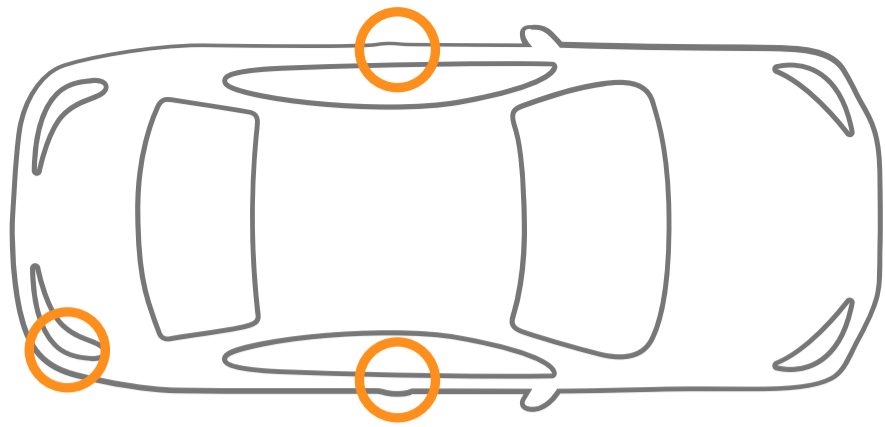


### This vehicle is eligible for Buyback Protection

Due to the vehicle's history showing no reported major state title brands. [Terms & Conditions](#)

[Learn More](#)

## Accident & Damage



Damage Date	Damage Type	Severity
06/18/2018	Collision	Minor
04/17/2019	Collision	Moderate
02/23/2020	Collision	Moderate

Not all accidents and/or damage events are reported to Experian. Inspection by a third party prior to purchase is recommended. See **Detailed Vehicle History** for more information regarding accident/damage events.

## Inspection History Check



### Information Reported

Below are inspection(s) that were reported for this vehicle. Please note that not all inspections are reported to Experian AutoCheck.

Inspection Date - 12/17/2019

Location - HOLLYWOOD, FL

Odometer Reading - 77,013

Data Source - Independent Source

Details - Independent Inspection/Theft Deterrent Equipped



## Open Recall Check



### Information Reported: AutoCheck found 1 open recall(s).

It is recommended that this vehicle be taken to the nearest dealer to have the recalled components replaced or fixed. Service bulletins if available are not part of open recalls and can be found in the vehicle history details.

Recall Date - 05/05/2022

Recall Type - Safety

NHTSA / OEM Recall No. - 21V890 / 21TA09-18602

Campaign Description - Safety Recall: SAFETY RECALL 21TA09 (REMEDY NOTICE) - CERTAIN 2018-2019 MODEL YEAR CAMRY - SUDDEN LOSS OF POWER BRAKING ASSIST MAY OCCUR  
Status: Remedy Available

[More information](#) including remedy or risk factors. Locate your nearest authorized [Toyota Dealer](#) to schedule repair.



## Odometer Check



### Your Vehicle Checks Out

No odometer brands, rollbacks, rollover or tampering has been reported to AutoCheck from state Division of Motor Vehicles (DMV) or auction sources. AutoCheck also examined the sequence of reported odometer readings to determine if there are any potential discrepancies.



### State Title Odometer Check

No issues reported



### Auction Odometer Check

No issues reported



### Odometer Calculation Check

No issues reported

## Detailed Vehicle History

Below are the historical events for this vehicle listed in chronological order.

Vehicle: 2018 Toyota Camry L / LE / SE / XLE (4T1B11HK4JU061620) Report Run Date: 04/14/2024 01:22:51 EDT

2018

### Vehicle Prep and Other Pre-Titling Events

Preparation Date: 01/2018

Event Date	Location	Odometer	Data Source	Details
01/01/2018			Independent Source	Vehicle Manufactured and Shipped to Dealer
01/01/2018	FL		Independent Source	Vehicle Manufactured and Shipped to Dealer

2018

### Owner 1

Location: FL

Owned From: 06/2018

Usage: Fleet, Lease

Event Date	Location	Odometer	Data Source	Details
06/01/2018	FL	5,198	Motor Vehicle Dept.	Odometer Reading from DMV
06/01/2018	HOLLYWOOD, FL		Motor Vehicle Dept.	Registration Event/Renewal
06/18/2018	FL		State Agency	Right Rear Impact with Another Vehicle(Case #9599539) Minor Damage Reported
06/22/2018	HOLLYWOOD, FL		Motor Vehicle Dept.	Title(Lien Reported)
03/19/2019	HOLLYWOOD, FL		Motor Vehicle Dept.	Registration Event/Renewal
04/17/2019	FL		State Agency	Right Side Impact with Another Vehicle(Case #10287478) Moderate Damage Reported Right Side Impact with Another Vehicle(Report #L19001833)
05/06/2019	MIAMI, FL	48,284	Damage Report	Accident or Damage Reported Vehicle Damage Reported Right Side Damage or Repair Reported Damage or Repair to Bumper Reported Damage or Repair to Wheels Reported Damage or Repair to Quarter Panel Reported
12/17/2019	HOLLYWOOD, FL	77,013	Independent Source	Independent Inspection/Theft Deterrent Equipped
02/23/2020	MIAMI BEACH, FL		Police Report	Left Side Impact with Another Vehicle Accident Reported(Report #:2020-15905) Moderate Damage Reported
06/12/2020	HOLLYWOOD, FL		Motor Vehicle Dept.	Registration Event/Renewal
01/18/2021	MIAMI, FL	119,384	Service Record	Multiple Point Vehicle Inspection Tires or Wheels Service Performed
04/17/2021	MIAMI, FL	149,372	Service Record	Fuel System Serviced Air Filter Changed Multiple Point Vehicle Inspection
05/01/2021	HOLLYWOOD, FL		Motor Vehicle Dept.	Registration Event/Renewal
05/04/2021	MIAMI, FL	153,766	Service Record	Multiple Point Vehicle Inspection Brakes Serviced
06/22/2021	MIAMI, FL	165,400	Service Record	Multiple Point Vehicle Inspection Engine Serviced Tires or Wheels Service Performed Lube, Oil And/Or Filter Changed
12/21/2021	FL	191,388	Motor Vehicle Dept.	Odometer Reading from DMV
01/19/2022	FL		Motor Vehicle Dept.	Title(Leased Vehicle)
01/31/2022	FL	191,388	Auto Auction	Auction Announced as Fleet/Lease

Event Date	Location	Odometer	Data Source	Details
01/31/2022	FL	191,388	Auto Auction	Reported at Auto Auction

2022

## Owner 2

Location: FL      Owned From: 03/2022      Usage: Fleet				
Event Date	Location	Odometer	Data Source	Details
03/09/2022	TAMPA, FL		Motor Vehicle Dept.	Registration Event/Renewal
04/11/2022	TAMPA, FL		Motor Vehicle Dept.	Registration Event/Renewal
04/15/2022	TAMPA, FL		Motor Vehicle Dept.	Title(Lien Reported)
02/17/2023	TAMPA, FL		Motor Vehicle Dept.	Registration Event/Renewal
03/06/2024	FL	246,447	Motor Vehicle Dept.	Odometer Reading from DMV
03/18/2024	IN	246,447	Auto Auction	Reported at Auto Auction
03/22/2024	FL		Motor Vehicle Dept.	Title(Lien Reported)
03/25/2024	IN	246,447	Auto Auction	Auction Announced as Fleet/Lease

### AutoCheck Terms and Conditions

This report, and any reliance upon it, is subject to [AutoCheck Terms and Conditions](#). If you obtained the report from a lender/dealer, the lender/dealer has been provided with these Terms and Conditions and can share them with you. These AutoCheck Terms and Conditions are also available at any time at [www.autocheck.com/terms](http://www.autocheck.com/terms) or by writing to Experian: Experian Automotive C/O AutoCheck Customer Service 1515 E. Woodfield Road, Suite 500, Schaumburg, IL 60173.

### Buyback Protection Terms and Conditions

This vehicle (4T1B11HK4JU061620) qualifies for [AutoCheck Buyback Protection](#). If you obtained the report from a dealer, the dealer has been provided with the terms and can share them with you. These Buyback Protection Terms and Conditions are also available to you at any time at [www.autocheck.com/bbptterms](http://www.autocheck.com/bbptterms) or by writing to Experian: Experian Automotive C/O AutoCheck Customer Service 1515 E. Woodfield Road, Suite 500, Schaumburg, IL 60173.

### About AutoCheck

AutoCheck vehicle history reports by Experian Automotive is the leading vehicle history reporting service. With expert data handling, the Experian Automotive database houses over 4 billion records on a half a billion vehicles. Every AutoCheck vehicle history report will give you confidence when buying or selling your next used vehicle, with superior customer service every step of the way.

### Patent Notice

Certain aspects of this vehicle history report may be covered by U.S. Patent 8,005,759.