

# Experian AutoCheck Report

Report run: 04/14/2024 01:18:57 EDT

## 2019 Toyota Camry L / LE / SE / XLE

Sedan 4D (2.5L I4 DI)

VIN:	4T1B11HK1KU729097
Class:	Car - Midsize
Country of Assembly:	United States
Vehicle Age:	5 year(s)
Last Reported Odometer:	232,083 (04/09/2024)

Owners - 2



Vehicle Usage  
Rental



## AutoCheck Score

Similar vehicles usually range between 84 and 90

### Vehicle History at a Glance

<p>State Title Brand</p> <p><b>CLEAN</b></p>	<p>Auction Brand / Issues</p> <p><b>NO ISSUE</b></p>	<p>Accident / Damage</p> <p><b>MODERATE</b></p>
<p>Open Recall Check</p> <p><b>NO OPEN RECALLS</b></p>	<p>Insurance Loss / Transfer</p> <p><b>NO ISSUE</b></p>	<p>Odometer Check</p> <p>Last reported odometer: 232,083 (04/09/2024)</p> <p><b>NO ISSUE</b></p>
<p>Certified Pre-Owned</p> <p><b>NO CPO INFO AVAILABLE</b></p>	<p>Service / Repair</p> <p><b>NO ISSUE</b></p>	<p>Additional History</p> <p>Lien Reported</p> <p><b>EVENTS REPORTED</b></p>

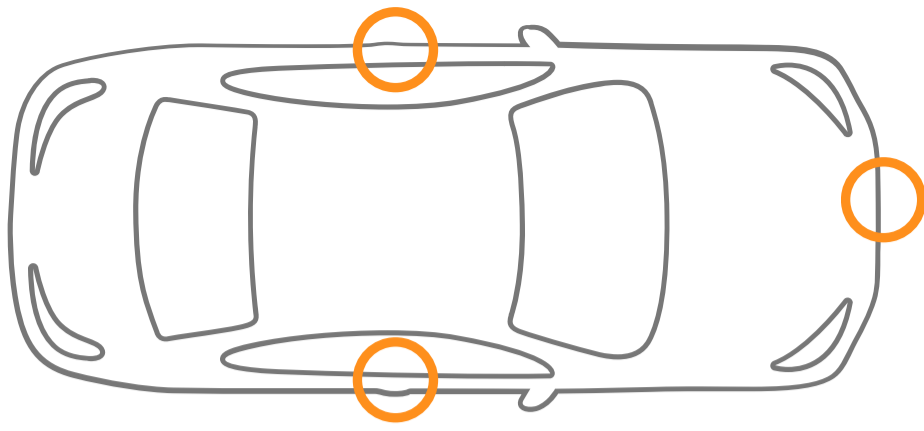


### This vehicle is eligible for Buyback Protection

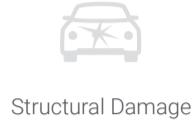
Due to the vehicle's history showing no reported major state title brands. [Terms & Conditions](#)

[Learn More](#)

### Accident & Damage



Airbag Deployed



Structural Damage



Overturned



Moderate

Damage Date

Damage Type

Severity

02/01/2020

Collision

Minor

06/04/2021

Collision

Moderate

Not all accidents and/or damage events are reported to Experian. Inspection by a third party prior to purchase is recommended. See **Detailed Vehicle History** for more information regarding accident/damage events.



## Odometer Check



### Your Vehicle Checks Out

No odometer brands, rollbacks, rollover or tampering has been reported to AutoCheck from state Division of Motor Vehicles (DMV) or auction sources. AutoCheck also examined the sequence of reported odometer readings to determine if there are any potential discrepancies.



#### State Title Odometer Check

No issues reported



#### Auction Odometer Check

No issues reported



#### Odometer Calculation Check

No issues reported



## Detailed Vehicle History

Below are the historical events for this vehicle listed in chronological order.

Vehicle: 2019 Toyota Camry L / LE / SE / XLE (4T1B11HK1KU729097) Report Run Date: 04/14/2024 01:18:57 EDT

2018

### Vehicle Prep and Other Pre-Titling Events

Preparation Date: 12/2018

Event Date	Location	Odometer	Data Source	Details
12/17/2018			Independent Source	Vehicle Manufactured and Shipped to Dealer

2019

### Owner 1

Location: TX

Owned From: 01/2019

Usage: Rental

Event Date	Location	Odometer	Data Source	Details
01/10/2019	SAN ANTONIO, TX		Motor Vehicle Dept.	Registration Event/Renewal Titled or Registered as a Rental Vehicle, or Part of a Rental Fleet
01/17/2019	SAN ANTONIO, TX	10	Motor Vehicle Dept.	Title(Lien Reported)
09/05/2019	SAN ANTONIO, TX	18,185	Independent Emission Source	Passed Emission Inspection Passed Safety Inspection
11/26/2019	HOUSTON, TX		Dealer Record	Vehicle in Dealer Inventory

2019

### Owner 2

Location: TX

Owned From: 12/2019

Usage: Personal

Event Date	Location	Odometer	Data Source	Details
12/19/2019	KATY, TX		Motor Vehicle Dept.	Registration Event/Renewal
01/02/2020	KATY, TX	18,266	Motor Vehicle Dept.	Title(Lien Reported)
02/01/2020	TX		State Agency	Vehicle Had a Collision Front Impact with Another Vehicle(Case #:17558037) Accident Reported(Report #:20-4618) Minor Damage Reported
02/20/2020	KATY, TX		Damage Report	Accident or Damage Reported Vehicle Damage Reported Left Side Damage or Repair Reported Right Side Damage or Repair Reported Damage or Repair to Bumper Reported Damage or Repair to Hood Reported Damage or Repair to Grille Reported Damage or Repair to Fender Reported
11/18/2020	KATY, TX	52,382	Independent Emission Source	Passed Emission Inspection Passed Safety Inspection
12/01/2020	KATY, TX		Motor Vehicle Dept.	Registration Event/Renewal
06/04/2021	KATY, TX		State Agency	Vehicle Had a Collision Left Side Impact with Another Vehicle(Case #:18296596) Accident Reported(Report #:2021-18375) Moderate Damage Reported Minor to Moderate Damage Reported
06/10/2021	RICHMOND, TX		Damage Report	Accident or Damage Reported Vehicle Damage Reported Left Side Damage or Repair Reported Damage or Repair to Bumper Reported Damage or Repair to Quarter Panel Reported Damage or Repair to Fender Reported
11/17/2021	KATY, TX	95,643	Independent Emission Source	Passed Emission Inspection Passed Safety Inspection
12/01/2021	KATY, TX		Motor Vehicle Dept.	Registration Event/Renewal
11/04/2022	KATY, TX	156,417	Independent Emission Source	Passed Emission Inspection Passed Safety Inspection
12/01/2022	KATY, TX		Motor Vehicle Dept.	Registration Event/Renewal
11/29/2023	KATY, TX	213,197	Independent Emission Source	Passed Emission Inspection Passed Safety Inspection
12/01/2023	KATY, TX		Motor Vehicle Dept.	Registration Event/Renewal
04/09/2024	TX	232,083	Auto Auction	Reported at Auto Auction

#### AutoCheck Terms and Conditions

This report, and any reliance upon it, is subject to [AutoCheck Terms and Conditions](#). If you obtained the report from a lender/dealer, the lender/dealer has been provided with these Terms and Conditions and can share them with you. These AutoCheck Terms and Conditions are also available at any time at [www.autocheck.com/terms](http://www.autocheck.com/terms) or by writing to Experian: Experian Automotive C/O AutoCheck Customer Service 1515 E. Woodfield Road, Suite 500, Schaumburg, IL 60173.

#### Buyback Protection Terms and Conditions

This vehicle (4T1B11HK1KU729097) qualifies for [AutoCheck Buyback Protection](#). If you obtained the report from a dealer, the dealer has been provided with the terms and can share them with you. These Buyback Protection Terms and Conditions are also available to you at any time at [www.autocheck.com/bbptterms](http://www.autocheck.com/bbptterms) or by writing to Experian: Experian Automotive C/O AutoCheckCustomer Service 1515 E. Woodfield Road, Suite 500, Schaumburg, IL 60173.

#### About AutoCheck

AutoCheck vehicle history reports by Experian Automotive is the leading vehicle history reporting service. With expert data handling, the Experian Automotive database houses over 4 billion records on a half a billion vehicles. Every AutoCheck vehicle history report will give you confidence when buying or selling your next used vehicle, with superior customer service every step of the way.

#### Patent Notice

Certain aspects of this vehicle history report may be covered by U.S. Patent 8,005,759.