

# Experian AutoCheck Report

Report run: 02/18/2024 13:52:55 EST

## 2016 Toyota RAV4 LE

SUV 4D (2.5L I4 SMPI)

VIN: 2T3ZFREV7GW251408

Class: CUV - Midsize

Country of Assembly: Canada

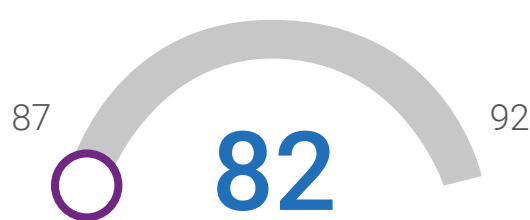
Vehicle Age: 8 year(s)

Last Reported Odometer: 171,452 (02/05/2024)

Owners - 3



Vehicle Usage  
Personal



## AutoCheck Score

Similar vehicles usually range between 87 and 92

### Vehicle History at a Glance



State Title Brand



CLEAN



Auction Brand / Issues



NO ISSUE



Accident / Damage  
Multiple Damage Events



MINOR-MODERATE



Open Recall Check



1 OPEN RECALL(S)



Insurance Loss / Transfer



NO ISSUE



Odometer Check  
Last reported odometer:  
171,452 (02/05/2024)



NO ISSUE



Certified Pre-Owned



NO CPO INFO AVAILABLE



Service / Repair



NO ISSUE



Additional History  
Lien Reported, Duplicate Title



EVENTS REPORTED



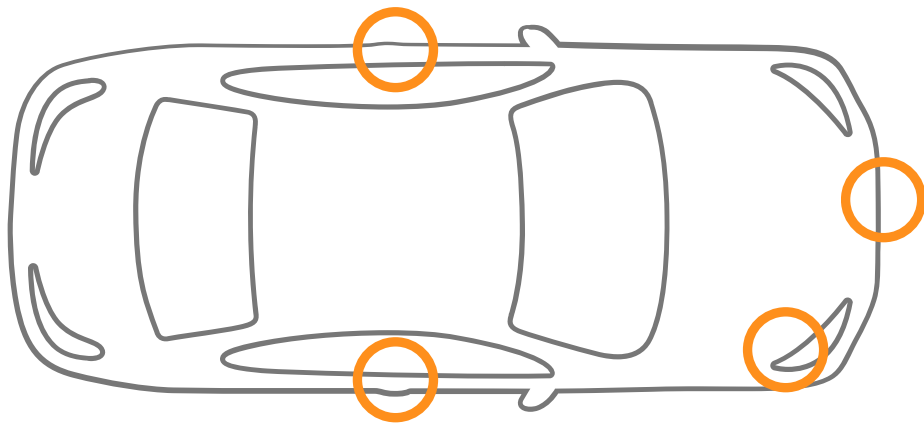
This vehicle is eligible for Buyback Protection

Due to the vehicle's history showing no reported major state title brands. [Terms & Conditions](#)

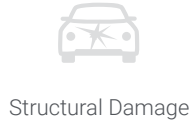
[Learn More](#)



Accident & Damage



Airbag Deployed



Structural Damage



Overturned



Minor-Moderate

Damage Date	Damage Type	Severity
12/13/2017	Collision	Minor-Moderate
02/15/2018	Collision	Minor-Moderate
11/04/2019	Collision	Minor-Moderate

Not all accidents and/or damage events are reported to Experian. Inspection by a third party prior to purchase is recommended. See **Detailed Vehicle History** for more information regarding accident/damage events.

### Open Recall Check



#### Information Reported: AutoCheck found 1 open recall(s).

It is recommended that this vehicle be taken to the nearest dealer to have the recalled components replaced or fixed. Service bulletins if available are not part of open recalls and can be found in the vehicle history details.

Recall Date - 11/01/2023

Recall Type - Safety

NHTSA / OEM Recall No. - 23V734 / 23TB13-24662

**Campaign Description** - Safety Recall: SAFETY RECALL 23TA13 (INTERIM NOTICE 23TB13) - CERTAIN MODEL YEAR 2013- 2018 RAV4- POTENTIAL VEHICLE FIRE RELATED TO 12-VOLT BATTERY

Status: Remedy Not Available

[More information](#) including remedy or risk factors. Locate your nearest authorized [Toyota Dealer](#) to schedule repair.

### Odometer Check



#### Your Vehicle Checks Out

No odometer brands, rollbacks, rollover or tampering has been reported to AutoCheck from state Division of Motor Vehicles (DMV) or auction sources. AutoCheck also examined the sequence of reported odometer readings to determine if there are any potential discrepancies.



#### State Title Odometer Check

No issues reported



#### Auction Odometer Check

No issues reported



#### Odometer Calculation Check

No issues reported

### Detailed Vehicle History

Below are the historical events for this vehicle listed in chronological order.

Vehicle: 2016 Toyota RAV4 LE (2T3ZFREV7GW251408) Report Run Date: 02/18/2024 13:52:55 EST

2016

### Vehicle Prep and Other Pre-Titling Events

Preparation Date: 01/2016

Event Date	Location	Odometer	Data Source	Details
01/11/2016			Independent Source	Vehicle Manufactured and Shipped to Dealer
01/11/2016	SC		Independent Source	Vehicle Manufactured and Shipped to Dealer

2016

### Owner 1

Location: NC

Owned From: 04/2016

Usage: Personal

Event Date	Location	Odometer	Data Source	Details
04/20/2016	WAXHAW, NC	20	Motor Vehicle Dept.	Title(Lien Reported) Registration Event/Renewal
12/13/2017	WAXHAW, NC		State Agency	Right Front Impact with Another Vehicle Minor to Moderate Damage Reported Right Front Impact Collision Accident Reported(Report #:2017-01198)
12/29/2017	WAXHAW, NC		Motor Vehicle Dept.	Registration Event/Renewal
02/15/2018	WAXHAW, NC		State Agency	Front Impact with Another Vehicle Minor to Moderate Damage Reported Front Impact Collision Accident Reported(Report #:2018-00160)
10/24/2018	WAXHAW, NC		Motor Vehicle Dept.	Duplicate Title(Lien Reported)
10/24/2018	WAXHAW, NC		Motor Vehicle Dept.	Registration Event/Renewal
06/04/2019	WAXHAW, NC		Motor Vehicle Dept.	Registration Event/Renewal
11/04/2019	WAXHAW, NC		State Agency	Right Front Impact with Another Vehicle Minor to Moderate Damage Reported Accident Reported(Report #:2019-01092)
11/14/2019	FORT MILL, SC	74,464	Damage Report	Accident or Damage Reported Vehicle Damage Reported Left Side Damage or Repair Reported Right Side Damage or Repair Reported Damage or Repair to Bumper Reported Damage or Repair to Hood Reported Damage or Repair to Radiator Reported Damage or Repair to Grille Reported Damage or Repair to Fender Reported
08/18/2020	WAXHAW, NC		Motor Vehicle Dept.	Registration Event/Renewal
11/07/2020	ROCK HILL, SC	87,053	Dealer Record	Vehicle in Dealer Inventory

2020

### Owner 2

Location: SC

Owned From: 11/2020

Usage: Personal

Event Date	Location	Odometer	Data Source	Details
11/27/2020	SC	87,066	Motor Vehicle Dept.	Odometer Reading from DMV Registration Event/Renewal
06/06/2021	LANCASTER, SC		Motor Vehicle Dept.	Title(Lien Reported)
08/15/2021	LANCASTER, SC		Motor Vehicle Dept.	Title(Lien Reported)

2021

### Owner 3

Location: MI

Owned From: 10/2021

Usage: Personal

Event Date	Location	Odometer	Data Source	Details
10/25/2021	STURGIS, MI	106,416	Motor Vehicle Dept.	Title
10/25/2021	STURGIS, MI		Motor Vehicle Dept.	Registration Event/Renewal
11/18/2021			Manufacturer	Manufacturer Service Bulletin Mfr. Recall 21TG01-17802 Service Campaigns: CONSUMER ADVISORY 21TG01, CERTAIN 2013-2018 MODEL YEAR RAV4, 12-VOLT BATTERY SIZE AND INSTALLATION INSPECTION LOCATE YOUR NEAREST AUTHORIZED <b>TOYOTA DEALER</b> TO SCHEDULE REPAIR. Status: Remedy Available
07/28/2022	STURGIS, MI		Motor Vehicle Dept.	Registration Event/Renewal

Event Date	Location	Odometer	Data Source	Details
12/28/2023	MI	171,452	Auto Auction	Reported at Auto Auction
01/10/2024	SOUTHFIELD, MI	171,452	Motor Vehicle Dept.	Title(Lien Reported)
02/05/2024	MI	171,452	Auto Auction	Reported at Auto Auction

**AutoCheck Terms and Conditions**

This report, and any reliance upon it, is subject to **AutoCheck Terms and Conditions**. If you obtained the report from a lender/dealer, the lender/dealer has been provided with these Terms and Conditions and can share them with you. These AutoCheck Terms and Conditions are also available at any time at [www.autocheck.com/terms](http://www.autocheck.com/terms) or by writing to Experian: Experian Automotive C/O AutoCheck Customer Service 1515 E. Woodfield Road, Suite 500, Schaumburg, IL 60173.

**Buyback Protection Terms and Conditions**

This vehicle (2T3ZFREV7GW251408) qualifies for **AutoCheck Buyback Protection**. If you obtained the report from a dealer, the dealer has been provided with the terms and can share them with you. These Buyback Protection Terms and Conditions are also available to you at any time at [www.autocheck.com/bbptterms](http://www.autocheck.com/bbptterms) or by writing to Experian: Experian Automotive C/O AutoCheckCustomer Service 1515 E. Woodfield Road, Suite 500, Schaumburg, IL 60173.

**About AutoCheck**

AutoCheck vehicle history reports by Experian Automotive is the leading vehicle history reporting service. With expert data handling, the Experian Automotive database houses over 4 billion records on a half a billion vehicles. Every AutoCheck vehicle history report will give you confidence when buying or selling your next used vehicle, with superior customer service every step of the way.

**Patent Notice**

Certain aspects of this vehicle history report may be covered by U.S. Patent 8,005,759.