

Experian AutoCheck Report

Report run: 02/10/2024 13:00:27 EST

2018 Chevrolet Volt LT

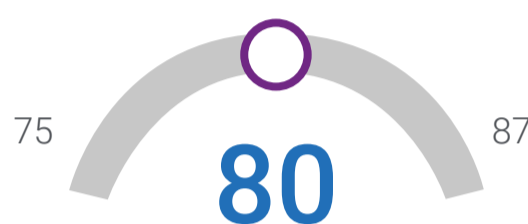
Hatchback 4D (1.5L I4 Electric with Gas Generator)

VIN:	1G1RC6S54JU114032
Class:	Car - Compact
Country of Assembly:	United States
Vehicle Age:	6 year(s)
Last Reported Odometer:	112,064 (01/23/2024)

Owners - 2



Vehicle Usage
Fleet, Lease



AutoCheck Score

Similar vehicles usually range between 75 and 87

Vehicle History at a Glance

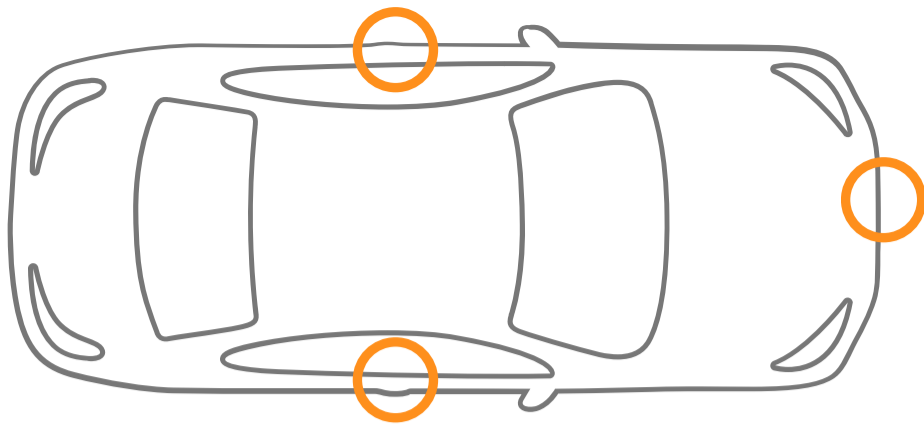
<p>State Title Brand</p> <p>CLEAN</p>	<p>Auction Brand / Issues</p> <p>NO ISSUE</p>	<p>Accident / Damage</p> <p>MODERATE</p>
<p>Open Recall Check</p> <p>NO OPEN RECALLS</p>	<p>Insurance Loss / Transfer</p> <p>NO ISSUE</p>	<p>Odometer Check</p> <p>Last reported odometer: 112,064 (01/23/2024)</p> <p>NO ISSUE</p>
<p>Certified Pre-Owned</p> <p>NO CPO INFO AVAILABLE</p>	<p>Service / Repair</p> <p>NO ISSUE</p>	<p>Additional History</p> <p>Lien Reported</p> <p>EVENTS REPORTED</p>



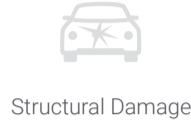
This vehicle is eligible for Buyback Protection

Due to the vehicle's history showing no reported major state title brands. [Terms & Conditions](#)

[Learn More](#)



Airbag Deployed



Structural Damage



Overturned



Moderate

Damage Date

Damage Type

Severity

05/17/2019

Collision

Moderate

10/10/2022

Collision

Minor

Not all accidents and/or damage events are reported to Experian. Inspection by a third party prior to purchase is recommended. See **Detailed Vehicle History** for more information regarding accident/damage events.



Odometer Check



Your Vehicle Checks Out

No odometer brands, rollbacks, rollover or tampering has been reported to AutoCheck from state Division of Motor Vehicles (DMV) or auction sources. AutoCheck also examined the sequence of reported odometer readings to determine if there are any potential discrepancies.



State Title Odometer Check

No issues reported



Auction Odometer Check

No issues reported



Odometer Calculation Check

No issues reported



Detailed Vehicle History

Below are the historical events for this vehicle listed in chronological order.

Vehicle: 2018 Chevrolet Volt LT (1G1RC6S54JU114032) Report Run Date: 02/10/2024 13:00:27 EST

2017

Vehicle Prep and Other Pre-Titling Events

Location: CA

Preparation Date: 12/2017

Event Date	Location	Odometer	Data Source	Details
12/18/2017	CA	3	Motor Vehicle Dept.	Odometer Reading from DMV
04/24/2018	CA	2,692	Motor Vehicle Dept.	Odometer Reading from DMV

2018

Owner 1

Location: CA

Owned From: 05/2018

Usage: Fleet, Lease

Event Date	Location	Odometer	Data Source	Details
12/21/2017	VAN NUYS, CA		Motor Vehicle Dept.	Title Registration Event/Renewal
05/11/2018	CA		Motor Vehicle Dept.	Title(Leased Vehicle)(Lien Reported) Registration Event/Renewal(Leased Vehicle)



Event Date	Location	Odometer	Data Source	Details
05/17/2019	VAN NUYS, CA		Damage Report	Accident or Damage Reported Moderate Damage Reported Left Side Damage or Repair Reported Right Side Damage or Repair Reported Damage or Repair to Bumper Reported Damage or Repair to Wheels Reported Damage or Repair to Grille Reported Damage or Repair to Quarter Panel Reported Damage or Repair to Fender Reported Damage or Repair to Axle Reported
06/01/2021	PACIFIC SW REGION	42,717	Auto Auction	Reported at Auto Auction
06/14/2021	DESERT SOUTHWEST REGION	42,720	Auto Auction	Auction Announced as Fleet/Lease

2021

Owner 2

Location: TX

Owned From: 08/2021

Usage: Personal

Event Date	Location	Odometer	Data Source	Details
08/31/2021	BEAUMONT, TX		Motor Vehicle Dept.	Registration Event/Renewal
09/07/2021	BEAUMONT, TX	42,729	Motor Vehicle Dept.	Title(Lien Reported)
10/10/2022	PORT ARTHUR, TX	81,315	Damage Report	Accident or Damage Reported Minor Damage Reported Damage or Repair to Wheels Reported
02/03/2023	PORT ARTHUR, TX		Motor Vehicle Dept.	Registration Event/Renewal
08/01/2023	TX	98,385	Motor Vehicle Dept.	Passed Emission Inspection Passed Safety Inspection
12/15/2023	PORT ARTHUR, TX		Motor Vehicle Dept.	Registration Event/Renewal
01/23/2024	TX	112,064	Auto Auction	Reported at Auto Auction



AutoCheck Terms and Conditions

This report, and any reliance upon it, is subject to [AutoCheck Terms and Conditions](#). If you obtained the report from a lender/dealer, the lender/dealer has been provided with these Terms and Conditions and can share them with you. These AutoCheck Terms and Conditions are also available at any time at www.autocheck.com/terms or by writing to Experian: Experian Automotive C/O AutoCheck Customer Service 1515 E. Woodfield Road, Suite 500, Schaumburg, IL 60173.

Buyback Protection Terms and Conditions

This vehicle (1G1RC6S54JU114032) qualifies for [AutoCheck Buyback Protection](#). If you obtained the report from a dealer, the dealer has been provided with the terms and can share them with you. These Buyback Protection Terms and Conditions are also available to you at any time at www.autocheck.com/bbptterms or by writing to Experian: Experian Automotive C/O AutoCheck Customer Service 1515 E. Woodfield Road, Suite 500, Schaumburg, IL 60173.

About AutoCheck

AutoCheck vehicle history reports by Experian Automotive is the leading vehicle history reporting service. With expert data handling, the Experian Automotive database houses over 4 billion records on a half a billion vehicles. Every AutoCheck vehicle history report will give you confidence when buying or selling your next used vehicle, with superior customer service every step of the way.

Patent Notice

Certain aspects of this vehicle history report may be covered by U.S. Patent 8,005,759.