

# Experian AutoCheck Report

Report run: 02/18/2024 13:47:02 EST

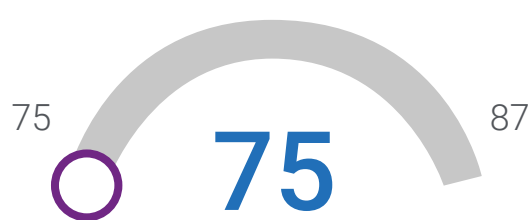
## 2017 Chevrolet Volt LT

Hatchback 4D (1.5L I4 Electric with Gas Generator)

VIN:	1G1RA6S51HU111508
Class:	Car - Compact
Country of Assembly:	United States
Vehicle Age:	7 year(s)
Last Reported Odometer:	151,780 (12/26/2023)



Vehicle Usage  
Personal



## AutoCheck Score

Similar vehicles usually range between 75 and 87

### Vehicle History at a Glance

<p>State Title Brand</p> <p><b>CLEAN</b></p>	<p>Auction Brand / Issues</p> <p><b>NO ISSUE</b></p>	<p>Accident / Damage</p> <p><b>MODERATE</b></p>
<p>Open Recall Check</p> <p><b>NO OPEN RECALLS</b></p>	<p>Insurance Loss / Transfer</p> <p><b>NO ISSUE</b></p>	<p>Odometer Check</p> <p>Last reported odometer: 151,780 (12/26/2023)</p> <p><b>NO ISSUE</b></p>
<p>Certified Pre-Owned</p> <p><b>NO CPO INFO AVAILABLE</b></p>	<p>Service / Repair</p> <p>1 Service Record(s) Reported</p> <p><b>NO ISSUE</b></p>	<p>Additional History</p> <p>Lien Reported, Corrected Title</p> <p><b>EVENTS REPORTED</b></p>

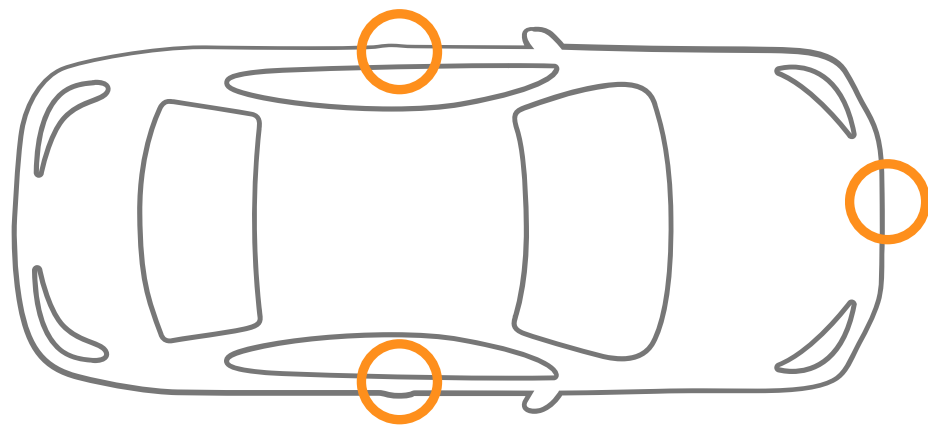


### This vehicle is eligible for Buyback Protection

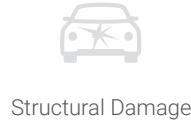
Due to the vehicle's history showing no reported major state title brands. [Terms & Conditions](#)

[Learn More](#)

## Accident & Damage



Airbag Deployed



Structural Damage



Overturned



Moderate

Damage Date

Damage Type

Severity

12/11/2020

Collision

Unknown

02/12/2021

Collision

Moderate

Not all accidents and/or damage events are reported to Experian. Inspection by a third party prior to purchase is recommended. See **Detailed Vehicle History** for more information regarding accident/damage events.



## Odometer Check



### Your Vehicle Checks Out

No odometer brands, rollbacks, rollover or tampering has been reported to AutoCheck from state Division of Motor Vehicles (DMV) or auction sources. AutoCheck also examined the sequence of reported odometer readings to determine if there are any potential discrepancies.



#### State Title Odometer Check

No issues reported



#### Auction Odometer Check

No issues reported



#### Odometer Calculation Check

No issues reported



## Detailed Vehicle History

Below are the historical events for this vehicle listed in chronological order.

Vehicle: 2017 Chevrolet Volt LT (1G1RA6S51HU111508) Report Run Date: 02/18/2024 13:47:02 EST

2016

### Owner 1

Location: IN

Owned From: 10/2016

Usage: Personal

Event Date	Location	Odometer	Data Source	Details
10/12/2016	NEW LENOX, IL		Motor Vehicle Dept.	Registration Event/Renewal
10/13/2016	NEW LENOX, IL	37	Motor Vehicle Dept.	Title(Lien Reported)
10/03/2017	NEW LENOX, IL		Motor Vehicle Dept.	Registration Event/Renewal
08/30/2018	NEW LENOX, IL		Motor Vehicle Dept.	Registration Event/Renewal
09/07/2019	NEW LENOX, IL		Motor Vehicle Dept.	Registration Event/Renewal
09/01/2020	NEW LENOX, IL		Motor Vehicle Dept.	Registration Event/Renewal
12/11/2020	CHICAGO, IL		Police Report	Accident Reported(Report #:03-20-15822)
02/12/2021	CHICAGO, IL	84,023	Damage Report	Accident or Damage Reported Moderate Damage Reported Left Side Damage or Repair Reported Right Side Damage or Repair Reported Front Damage or Repair Reported Damage or Repair to Bumper Reported Damage or Repair to Hood Reported Damage or Repair to Radiator Reported Damage or Repair to Grille Reported Damage or Repair to Fender Reported Damage or Repair to Windshield Reported



Event Date	Location	Odometer	Data Source	Details
08/28/2021	VALPARAISO, IN		Motor Vehicle Dept.	Title(Lien Reported)
08/28/2021	VALPARAISO, IN		Motor Vehicle Dept.	Registration Event/Renewal
06/15/2022	JOLIET, IL	119,004	<b>Hawk Chevrolet Cadillac</b> 815.725.7110	Emission System Serviced Multiple Point Vehicle Inspection
11/05/2022	VALPARAISO, IN		Motor Vehicle Dept.	Registration Event/Renewal
03/15/2023	CHESTERTON, IN		Motor Vehicle Dept.	Title(Lien Reported) Corrected Title(Lien Reported)
12/01/2023	IN	151,000	State Agency	Failed Emission Inspection
12/09/2023	HIGHLAND, IN	151,770	Dealer Listing	Vehicle Listed for Sale
12/25/2023	IL	151,781	Auto Auction	Reported at Auto Auction as Dealer Vehicle(COLOR REPORTED AS BLUE)
12/26/2023	IL	151,780 †	Auto Auction	Reported at Auto Auction

† This odometer reading was not used in this calculation because the difference was too small or it is in kilometer. When a reading difference is small, it is due to either a data entry error of the date of the odometer or a rounding of the odometer and not likely due to a true rollback.

#### AutoCheck Terms and Conditions

This report, and any reliance upon it, is subject to [AutoCheck Terms and Conditions](#). If you obtained the report from a lender/dealer, the lender/dealer has been provided with these Terms and Conditions and can share them with you. These AutoCheck Terms and Conditions are also available at any time at [www.autocheck.com/terms](http://www.autocheck.com/terms) or by writing to Experian: Experian Automotive C/O AutoCheck Customer Service 1515 E. Woodfield Road, Suite 500, Schaumburg, IL 60173.

#### Buyback Protection Terms and Conditions

This vehicle (1G1RA6S51HU111508) qualifies for [AutoCheck Buyback Protection](#). If you obtained the report from a dealer, the dealer has been provided with the terms and can share them with you. These Buyback Protection Terms and Conditions are also available to you at any time at [www.autocheck.com/bbpterm](http://www.autocheck.com/bbpterm) or by writing to Experian: Experian Automotive C/O AutoCheckCustomer Service 1515 E. Woodfield Road, Suite 500, Schaumburg, IL 60173.

#### About AutoCheck

AutoCheck vehicle history reports by Experian Automotive is the leading vehicle history reporting service. With expert data handling, the Experian Automotive database houses over 4 billion records on a half a billion vehicles. Every AutoCheck vehicle history report will give you confidence when buying or selling your next used vehicle, with superior customer service every step of the way.

#### Patent Notice

Certain aspects of this vehicle history report may be covered by U.S. Patent 8,005,759.