

Experian AutoCheck Report

Report run: 10/29/2023 04:46:54 EDT

2023 Ford Escape Active

SUV 4D (1.5L I3 DI)

| | |
|-------------------------|-------------------|
| VIN: | 1FMCU9GN0PUA21582 |
| Class: | CUV - Midsize |
| Country of Assembly: | United States |
| Vehicle Age: | Current Year |
| Last Reported Odometer: | 10 (05/22/2023) |



Vehicle Usage
Lease

96 - 91
AutoCheck Score 71
Similar vehicles usually range between 91 and 96

Vehicle History at a Glance

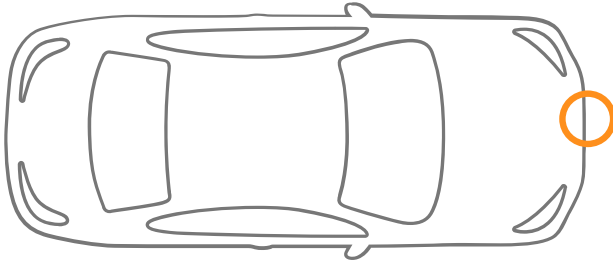
| | | |
|---|--|--|
| <p>State Title Brand</p> <p>CLEAN</p> | <p>Auction Brand / Issues Odometer Problem</p> <p>AUCTION ISSUE REPORTED</p> | <p>Accident / Damage Airbag Deployed</p> <p>SEVERE</p> |
| <p>Open Recall Check</p> <p>1 OPEN RECALL(S)</p> | <p>Insurance Loss / Transfer</p> <p>NO ISSUE</p> | <p>Odometer Check Last reported odometer: 10 (05/22/2023)</p> <p>ODOMETER ISSUE REPORTED</p> |
| <p>Certified Pre-Owned</p> <p>NO CPO INFO AVAILABLE</p> | <p>Service / Repair</p> <p>NO ISSUE</p> | <p>Additional History</p> <p>NO ISSUES REPORTED</p> |





This vehicle is eligible for Buyback Protection


Due to the vehicle's history showing no reported major state title brands. [Terms & Conditions](#)


[Learn More](#)




Airbag Deployed


Structural Damage


Overturned


Severe

| Damage Date | Damage Type | Severity |
|-------------|-------------|----------|
| 07/06/2023 | Collision | Severe |

Not all accidents and/or damage events are reported to Experian. Inspection by a third party prior to purchase is recommended. See **Detailed Vehicle History** for more information regarding accident/damage events.

Open Recall Check


Information Reported: AutoCheck found 1 open recall(s).
 It is recommended that this vehicle be taken to the nearest dealer to have the recalled components replaced or fixed. Service bulletins if available are not part of open recalls and can be found in the vehicle history details.

| Recall Date | Recall Type | NHTSA / OEM Recall No. | Campaign Description |
|-------------|-------------|------------------------|---|
| 07/24/2023 | Safety | Awaiting# / 23C25 | Safety Compliance: INSTRUMENT PANEL CLUSTER REPLACEMENT Status: Remedy Not Available |


[More information](#) including remedy or risk factors. Locate your nearest authorized **Ford Dealer** to schedule repair.

Odometer Check


Problem Reported
 One or more odometer problems have been reported to AutoCheck by the state Division of Motor Vehicles (DMV) or auction sources OR there is a potential odometer discrepancy when AutoCheck examined the sequence of reported odometer readings.



State Title Odometer Check
No issues reported



Auction Odometer Check
The following odometer brand(s) has been announced by an auction:
True Mileage Unknown



Odometer Calculation Check
No issues reported

Detailed Vehicle History

Below are the historical events for this vehicle listed in chronological order.
 Vehicle: 2023 Ford Escape Active (1FMCU9GN0PUA21582) Report Run Date: 10/29/2023 04:46:54 EDT

2023

Vehicle Prep and Other Pre-Titling Events

Location: AZ

Preparation Date: 05/2023

| Event Date | Location | Odometer | Data Source | Details |
|------------|------------|----------|---------------------|--|
| 05/18/2023 | AZ | | Motor Vehicle Dept. | Registration Event/Renewal(Leased Vehicle) |
| 06/01/2023 | PEORIA, AZ | | Motor Vehicle Dept. | Registration Event/Renewal(Leased Vehicle) |
| 07/06/2023 | AZ | | State Agency | Front Impact with Another Vehicle(Case #:4060327) Vehicle Damage Reported as Disabling Accident Reported(Report #I23039344) Air Bag Deployed Vehicle Was Towed |

2023

Owner 1

Location: FL

Owned From: 07/2023

Usage: Lease

| Event Date | Location | Odometer | Data Source | Details |
|------------|-------------------------|----------|---------------------|---|
| 05/22/2023 | AZ | 10 | Motor Vehicle Dept. | Title(Title #A012435686) (Leased Vehicle) |
| 07/25/2023 | AZ | | Motor Vehicle Dept. | Title(Title #A013117215) (Leased Vehicle) |
| 08/10/2023 | DESERT SOUTHWEST REGION | | Auto Auction | Auction Announced as True Mileage Unknown |
| 10/24/2023 | DESERT SOUTHWEST REGION | | Auto Auction | Auction Announced as True Mileage Unknown |

AutoCheck Terms and Conditions

This report, and any reliance upon it, is subject to [AutoCheck Terms and Conditions](#). If you obtained the report from a lender/dealer, the lender/dealer has been provided with these Terms and Conditions and can share them with you. These AutoCheck Terms and Conditions are also available at any time at www.autocheck.com/terms or by writing to Experian: Experian Automotive C/O AutoCheck Customer Service 1515 E. Woodfield Road, Suite 500, Schaumburg, IL 60173.

Buyback Protection Terms and Conditions

This vehicle (1FMCU9GN0PUA21582) qualifies for [AutoCheck Buyback Protection](#). If you obtained the report from a dealer, the dealer has been provided with the terms and can share them with you. These Buyback Protection Terms and Conditions are also available to you at any time at www.autocheck.com/bbptterms or by writing to Experian: Experian Automotive C/O AutoCheckCustomer Service 1515 E. Woodfield Road, Suite 500, Schaumburg, IL 60173.

About AutoCheck

AutoCheck vehicle history reports by Experian Automotive is the leading vehicle history reporting service. With expert data handling, the Experian Automotive database houses over 4 billion records on a half a billion vehicles. Every AutoCheck vehicle history report will give you confidence when buying or selling your next used vehicle, with superior customer service every step of the way.

Patent Notice

Certain aspects of this vehicle history report may be covered by U.S. Patent 8,005,759.